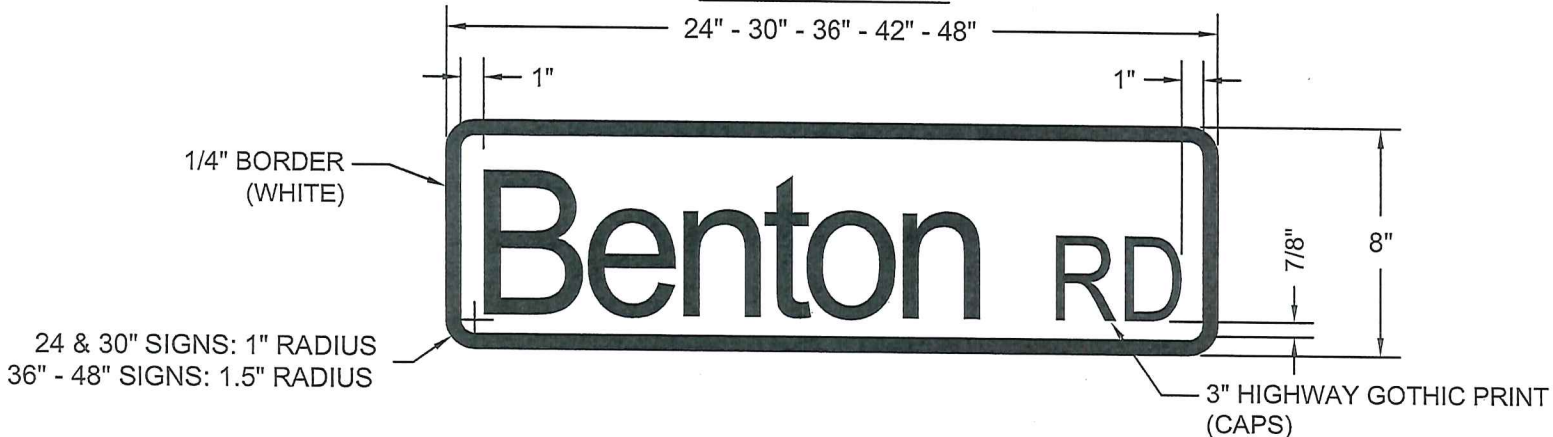
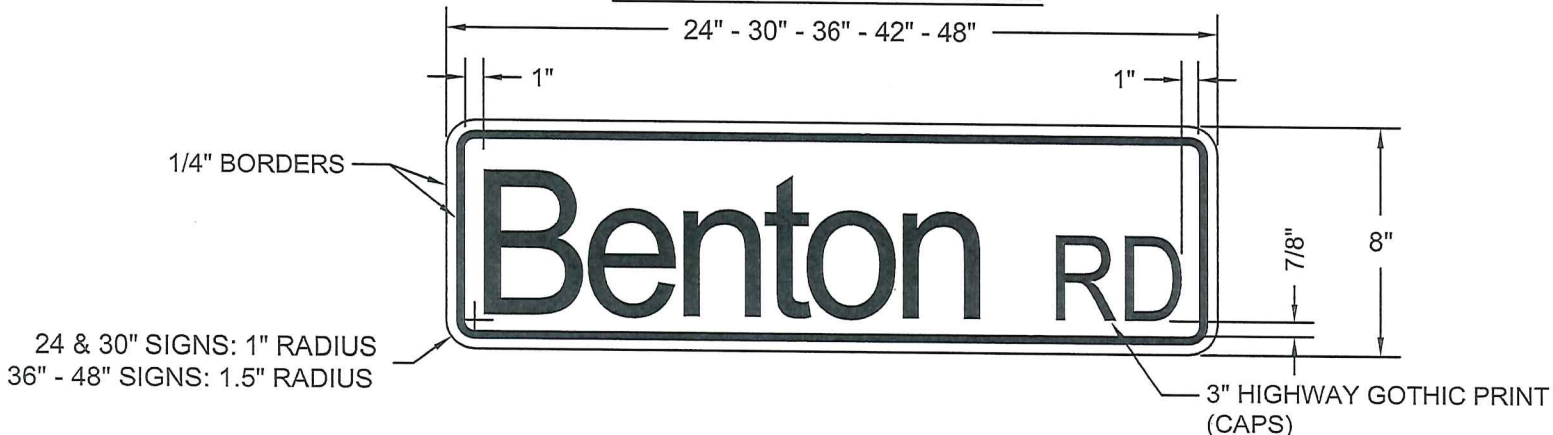


D3-1: ROAD NAME



W16-8P: ADVANCE ROAD NAME



NOTES:

1. ASTM TYPE IV REFLECTIVE SHEETING TYPEFACE: HIGHWAY GOTHIC. (6" PRINT (TYP) UNLESS OTHERWISE NOTED)
2. D3-1: WHITE LETTERS ON GREEN BACKGROUND
3. W16-8P: BLACK LETTERS ON YELLOW BACKGROUND.
4. 24" - 30" SIGNS SHALL HAVE A MATERIAL THICKNESS OF 0.08".
5. 36" - 48" SIGNS SHALL HAVE A MATERIAL THICKNESS OF 0.12".
6. SIGNS SHALL BE FABRICATED IN ACCORDANCE WITH THE STANDARD HIGHWAY SIGNS AND MARKINGS BOOK.



PUBLIC ROAD NAME SIGNS

APPROVED BY:

Matt M

COUNTY ENGINEER

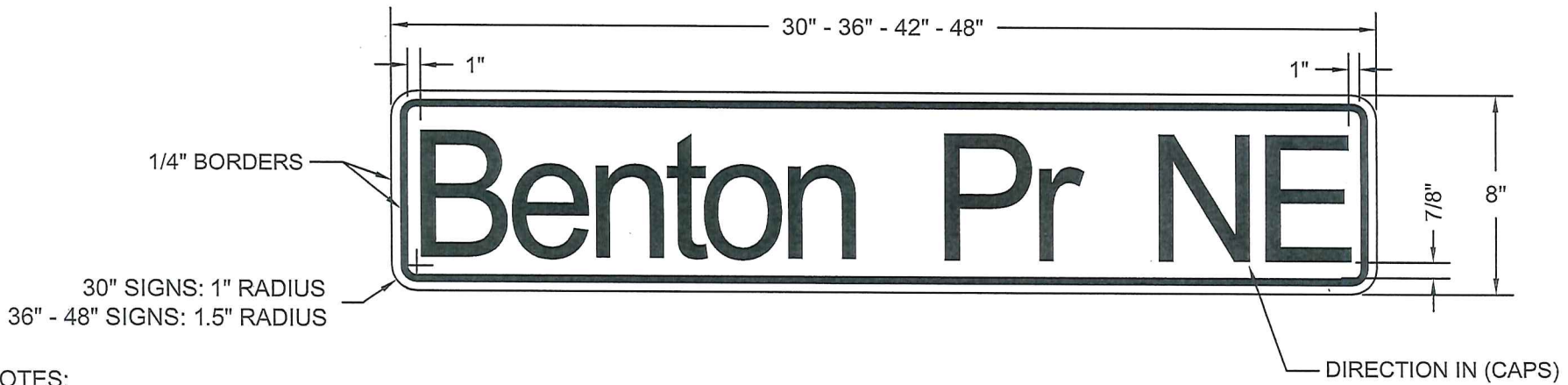
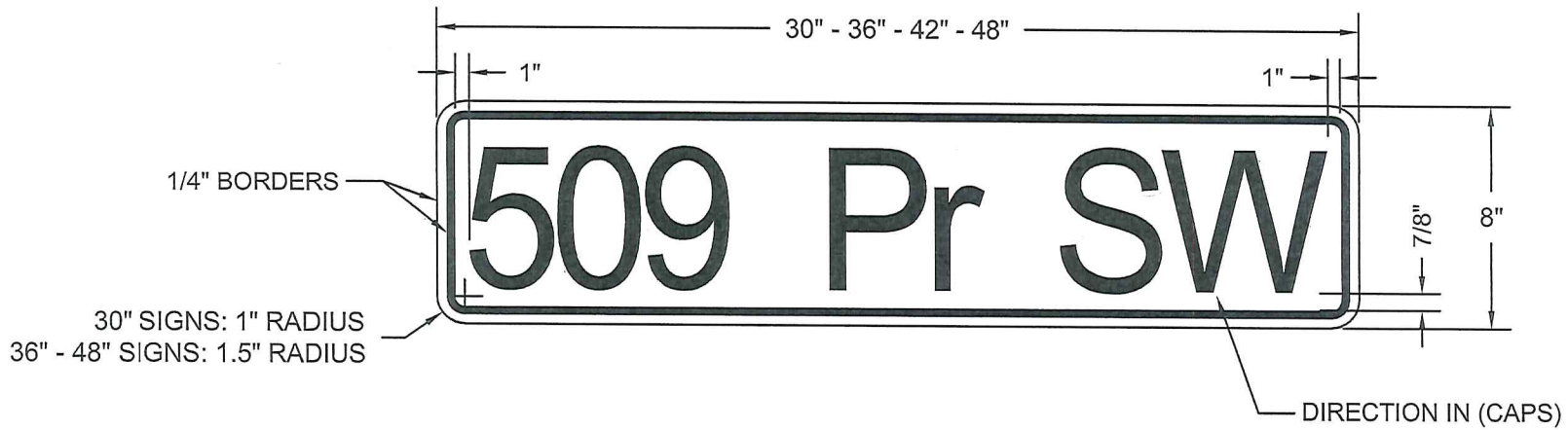
11/19/18

DATE

STANDARD PLAN

R-17

SHEET 1 OF 3



NOTES:

1. ASTM TYPE IV REFLECTIVE SHEETING TYPEFACE: HIGHWAY GOTHIC. (6" PRINT (TYP) UNLESS OTHERWISE NOTED)
2. D-3A: WHITE LETTERS ON BLUE BACKGROUND.
3. 24" - 30" SIGNS SHALL HAVE A MATERIAL THICKNESS OF 0.08".
4. 36" - 48" SIGNS SHALL HAVE A MATERIAL THICKNESS OF 0.12".
5. SIGNS SHALL BE FABRICATED IN ACCORDANCE WITH THE STANDARD HIGHWAY SIGNS AND MARKINGS BOOK.



PRIVATE ROAD NAME SIGNS

APPROVED BY:

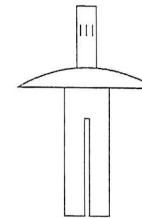
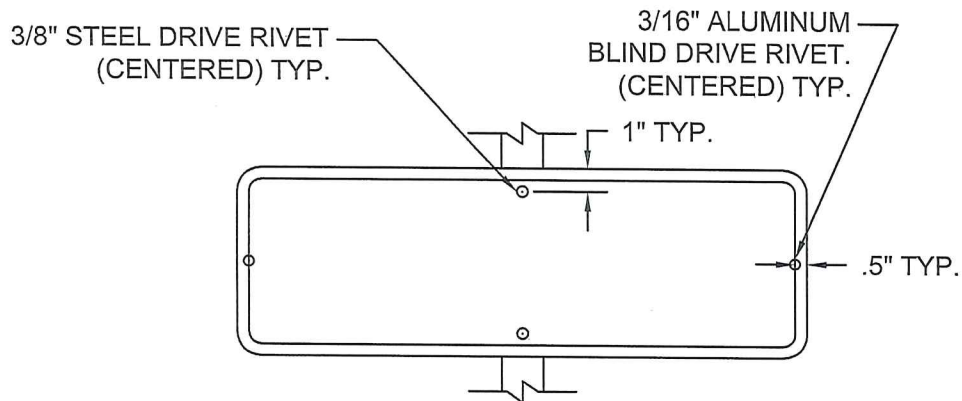
Matthew
COUNTY ENGINEER

11/19/18
DATE

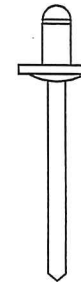
STANDARD PLAN

R-17

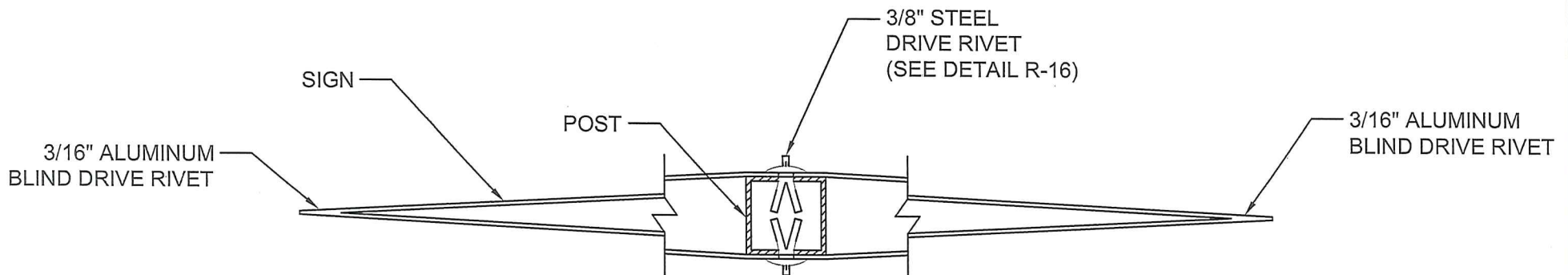
SHEET 2 OF 3



3/8" STEEL DRIVE RIVET



3/16" ALUMINUM BLIND
DRIVE RIVET
WITH 3/16" ALUMINUM
BACK-UP WASHER.



D3-1 & D3-A SIGN INSTALLATION

APPROVED BY:

Mark M

COUNTY ENGINEER

11/19/18

DATE

STANDARD PLAN

R-17

SHEET 3 OF 3